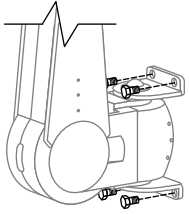


Surface Attachment Options

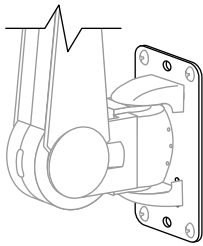
Direct Mounting



400, 300, 200, 100, VL, HD, and FX Series Mounting Solutions can mount directly to surfaces. Since applications vary, fasteners that attach Mounting Solutions to any surface should be supplied by the user. For direct-mount hole patterns, see pp. 56–58.

Always consult the appropriate construction, engineering, or architectural personnel to ensure the product is mounted securely to handle applied loads. For most vertical-surface applications, Ergotron recommends an additional mounting interface, such as a Wall Plate or Wall Track, for added support.

Wall Plates



97-101-003,
Wall Mount Plate
w/ 400 Series Arm

Wall Plates provide better support by spreading weight over a larger area.

| Part Number | Description | Dimensions H x W | Shipping Weight |
|-----------------------|--|----------------------------------|------------------|
| 97-101-003, aluminum* | Wall Mount Plate for 400**, 300, 200, 100 Series & HD Pivots | 8-3/8" x 3-1/2" (213 x 89 mm) | 1 lbs (.5 kg) |
| 60-152-100, grey* | Wall Mount Bracket for HD Series Arms** (excludes HD Pivots) | 8" x 6-5/8" (203 x 168 mm) | 1 lbs (.5 kg) |

* Does not include fasteners for attaching to vertical surface. Customer supplied.

** 97-101-003 also mounts Extenders for 400 Series Arms and 60-152-100 mounts Extenders for HD Series Arms.

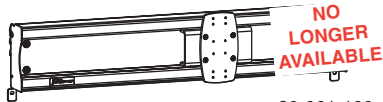
Note: Refer to page 58 for additional specifications.

Furniture Mounts

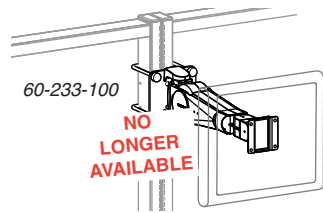
NO
LONGER
AVAILABLE



42-021-100



30-061-100



60-233-100

NO
LONGER
AVAILABLE

400 Series Vertical Mount Arm clamped to double frame

Integrate Flat Panel Mounting Solutions within Ergotron technical furniture systems: LAN Organizer™ 3000 and TechStation.

| Part Number | Description | Application | Shipping Weight |
|------------------|-----------------------------------|---|-------------------|
| 42-021-100, grey | Shelf Mount Truck | Mounts 400 Series Suspend Mount Arms below Suspension Shelf or Security Cabinet. Features side-to-side sliding motion across rail | 3 lbs (1.4 kg) |
| 30-062-100, grey | 30" Rail with Truck | Mounts 100 Series Pivots and 200, 300 and 400 Series Vertical Mount Arms between frame uprights. Features side-to-side sliding motion across rail | 7 lbs (3.2 kg) |
| 30-061-100, grey | 42" Rail with Truck | Mounts 100 Series Pivots and 200, 300 and 400 Series Vertical Mount Arms between frame uprights. Features side-to-side sliding motion across rail | 7 lbs (3.2 kg) |
| 60-231-100, grey | Arm Mount Kit, Front Mount | Mounts 200, 300 or 400 Series Vertical Mount Arms to front of frame | 3 lbs (1.4 kg) |
| 60-230-100, grey | Arm Mount Kit, Inside Mount | Mounts 200, 300 or 400 Series Vertical Mount Arms to inside of frame | 3 lbs (1.4 kg) |
| 60-233-100, grey | Arm Mount Kit, Double Frame Mount | Mounts 200, 300 or 400 Series Vertical Mount Arms to double frame | 3 lbs (1.4 kg) |

Wall Tracks



31-016-182



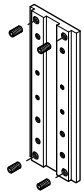
31-017-182



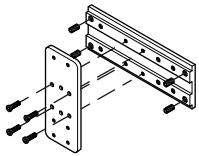
31-018-182



31-019-182



97-091



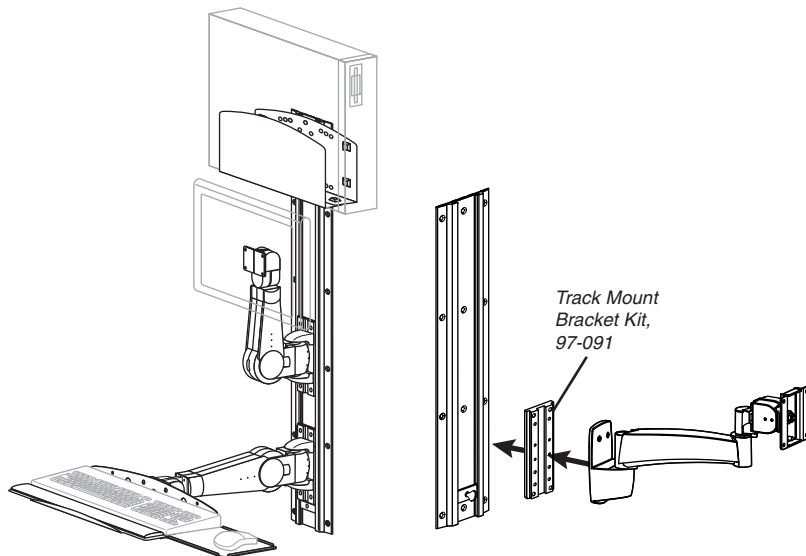
97-090



97-083



60-156



Wall Track provides a common interface for mounting multiple Ergotron components. When mounting components to Wall Track, you must order the appropriate Track Mount Bracket Kits. Peripherals for Wall Track can be found on pages 47–48.

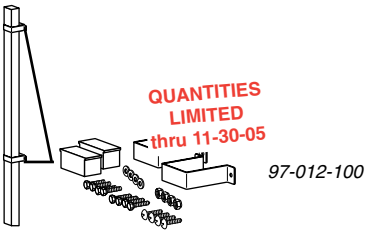
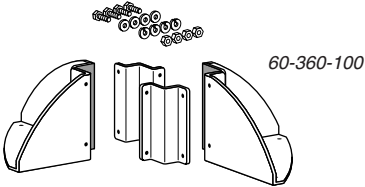
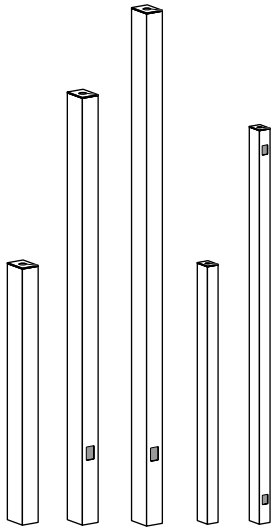
| Part Number | Description | Dimensions H x W | Shipping Weight |
|--------------------|----------------|-----------------------------|-------------------|
| 31-016-182, silver | 10" Wall Track | 10" x 5" (254 x 127 mm) | 2 lbs (.9 kg) |
| 31-038-182, silver | 18" Wall Track | 18" x 5" (457 x 127 mm) | 4 lbs (1.8 kg) |
| 31-017-182, silver | 26" Wall Track | 26" x 5" (660 x 127 mm) | 4 lbs (1.8 kg) |
| 31-018-182, silver | 34" Wall Track | 34" x 5" (864 x 127 mm) | 7 lbs (3.2 kg) |
| 31-039-182, silver | 42" Wall Track | 42" x 5" (1067 x 127 mm) | 8 lbs (3.6 kg) |
| 31-019-182, silver | 50" Wall Track | 50" x 5" (1270 x 127 mm) | 9 lbs (4.1 kg) |

| Wall Track Mounting Kits | Application | Shipping Weight |
|--------------------------|---|---|
| 90-010 | Wall Track Mounting Kit, (10) Phillips self-tapping 14 x 1.5 LG screw | Sheet metal or wood studs 1 lbs (.5 kg) |
| 90-011 | Wall Track Mounting Kit, (10) Phillips 1/4"-20 x 1.5 LG screw/toggle anchor | Hollow walls 1 lbs (.5 kg) |

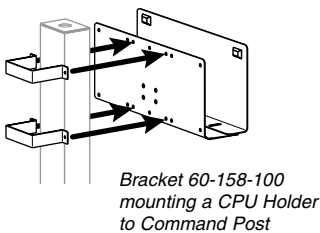
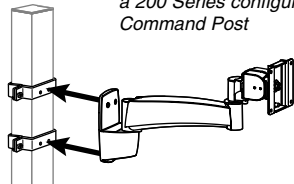
| Track Mount Bracket Kits | Application | Shipping Weight |
|--------------------------|------------------------------------|---|
| 97-091, aluminum | Track Mount Bracket Kit | Mounts 400, 300, 200, 100 Series and HD Pivot to vertically oriented Wall Track, OR 100 Series to horizontally oriented Wall Track 1 lbs (.5 kg) |
| 97-090, aluminum | Horizontal Track Mount Bracket Kit | Mounts 400, 300, 200 Series and HD Pivot to horizontally oriented Wall Track 1 lbs (.5 kg) |
| 60-151, zinc | Vertical Track Mount Bracket Kit | Mounts HD Arms and HD Extenders to vertically oriented Wall Track 1 lbs (.5 kg) |
| 97-083, aluminum | Vertical Track Mount Bracket Kit | Mounts Extenders for 400 Series to vertically oriented Wall Track 1 lbs (.5 kg) |
| 60-156, zinc | Peripheral Track Mount Bracket Kit | Mounts CPU Holders to vertically oriented Wall Track 1 lbs (.5 kg) |

Note: Refer to page 58 for additional specifications.

Command Posts



Bracket 60-364-100 mounting a 200 Series configuration to Command Post



Bracket 60-158-100 mounting a CPU Holder to Command Post

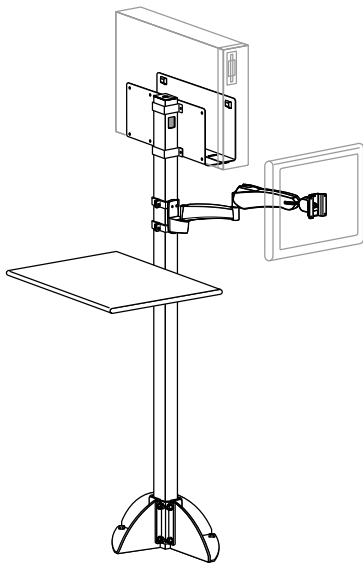
Command Post gives you the flexibility to mount one or more computer systems to a floor, bench, machine or ceiling – using little or no floor space. It is constructed from heavy-duty 11-gauge steel for long-lasting durability.

Brackets are required to mount Mounting Solutions and peripherals to the Command Post. A Bracket Interface, which adapts the component to the standard bracket, is also required for the Vertical Lift and the Cable Box. Peripherals for Command Post can be found on pages 43 and 47–48.

| Part Number | Description | | | Shipping Weight |
|---|--|---|---|---------------------|
| Bases | | Dimensions (H x W x D) | | |
| 20-142-100, grey | 48" Post, 2" x 2" | 48" x 2" x 2" (1219 x 51 x 51 mm) | QUANTITIES LIMITED THRU 11-30-05 | 10 lbs (4.5 kg) |
| 20-143-100, grey | 74" Post, 2" x 2" | 74" x 2" x 2" (1880 x 51 x 51 mm) | QUANTITIES LIMITED THRU 11-30-05 | 20 lbs (9.1 kg) |
| 20-075-100, grey | 48" Post, 3" x 3" | 48" x 3" x 3" (1219 x 76 x 76 mm) | QUANTITIES LIMITED THRU 11-30-05 | 20 lbs (9.1 kg) |
| 20-076-100, grey | 80" Post, 3" x 3" | 80" x 3" x 3" (2032 x 76 x 76 mm) | | 32 lbs (14.5 kg) |
| 20-077-100, grey | 96" Post, 3" x 3" | 96" x 3" x 3" (2438 x 76 x 76 mm) | QUANTITIES LIMITED THRU 11-30-05 | 38 lbs (17.3 kg) |
| Bases – Horizontal Surface | | Dimensions (H x W x D) | | |
| 60-359-100, grey | Base for 2" x 2" Post | 7" x 16" x 16" (178 x 406 x 406 mm) | | 22 lbs (10 kg) |
| 60-360-100, grey | Base for 3" x 3" Post | 7" x 17" x 17" (178 x 432 x 432 mm) | | 24 lbs (10.9 kg) |
| 90-018 | Hardware Kit for concrete surface attachment, (4) stud anchors | | | 1 lbs (.5 kg) |
| Mounting Kit Brackets – Vertical Surface | | | | |
| 97-012-100, grey | Wall/Bench Mounting Kit for 2" x 2" Post | | QUANTITIES LIMITED THRU 11-30-05 | 2 lbs (.9 kg) |
| 97-011-100, grey | Wall/Bench Mounting Kit for 3" x 3" Post | | | 3 lbs (1.4 kg) |
| Brackets for Mounting Solutions | | Application | | |
| 60-363-100, grey | 2" x 2" Post Mounting Solutions Bracket | Mounts 100 Series | | 2 lbs (.9 kg) |
| 60-364-100, grey | 2" x 2" Post Mounting Solutions Bracket | Mounts 200, 300, 400 Series, HD Series Pivots, FX75 and FXT75 | | 4 lbs (1.8 kg) |
| 60-153-100, grey | 2" x 2" Post Mounting Solutions Bracket | Mounts HD Series Arms | QUANTITIES LIMITED THRU 11-30-05 | 4 lbs (1.8 kg) |
| 60-365-100, grey | 3" x 3" Post Mounting Solutions Bracket | Mounts 100 Series | | 2 lbs (.9 kg) |
| 60-366-100, grey | 3" x 3" Post Mounting Solutions Bracket | Mounts 200, 300, 400 Series, HD Series Pivots, Extenders for 400 Series, FX75 and FXT75 | | 4 lbs (1.8 kg) |
| 60-154-100, grey | 3" x 3" Post Mounting Solutions Bracket | Mounts HD Series Arms and Extenders for HD Series Arms | | 4 lbs (1.8 kg) |
| Brackets for Peripherals | | | | |
| Application | | | | |
| 60-157-100, grey | 2" x 2" Post Peripheral Bracket | Mounts CPU Holders, CPU Cabinet, Peripheral Table and Footrest | QUANTITIES LIMITED THRU 11-30-05 | 3 lbs (1.4 kg) |
| 60-158-100, grey | 3" x 3" Post Peripheral Bracket | Mounts CPU Holders, CPU Cabinet, Peripheral Table and Footrest | | 3 lbs (1.4 kg) |

Note: See "Mounting Options and Uses Table," on the following page, to determine which Post, Base/Bracket and Arm(s) to choose.

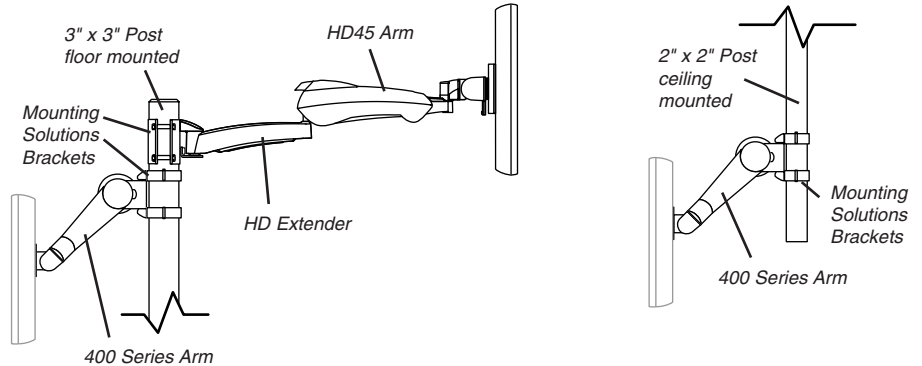
Mounting Options and Uses Table



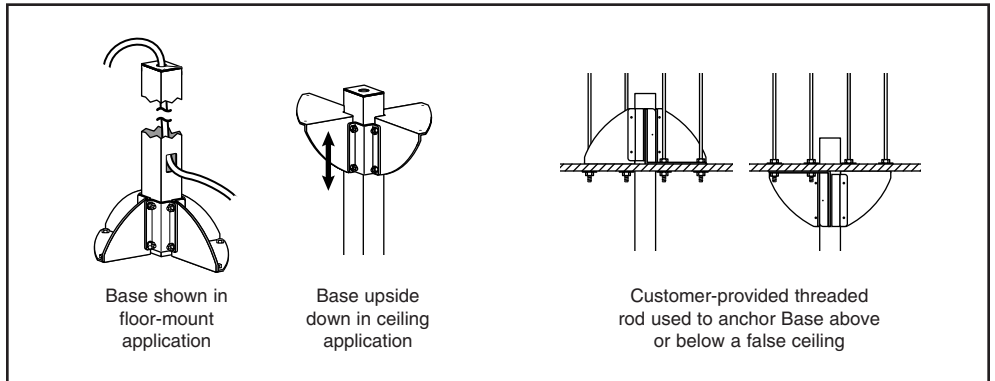
| Post Part Number | Dimensions H x W x D | Base/Bracket Part Number | Floor/Ceiling allowable configuration | Wall/Bench/Machine allowable configuration |
|------------------|----------------------|--------------------------|---------------------------------------|--|
| 20-142-100 | 48" x 2" x 2" | 60-359-100/97-012-100 | Arm, no Extender | Arm w/ Extender |
| 20-143-100 | 72" x 2" x 2" | 60-359-100/97-012-100 | Arm, no Extender | Arm w/ Extender |
| 20-075-100 | 48" x 3" x 3" | 60-360-100/97-011-100 | Arm(s) w/ Extender | Arm(s) w/ Extender |
| 20-076-100 | 80" x 3" x 3" | 60-360-100/97-011-100 | Arm(s) w/ Extender | Arm(s) w/ Extender |
| 20-077-100 | 96" x 3" x 3" | 60-360-100/97-011-100 | Arm(s) w/ Extender | Arm(s) w/ Extender |

Configuration Examples

Examples of allowable configurations according to the Mounting Options and Uses Table



Floor vs. Ceiling-Mount Applications



Footrest



QUANTITIES LIMITED thru 11-30-05

85-023-100

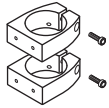
Install a Footrest to the Command Post to provide more ergonomic comfort to the user.

| Part Number | Description | Dimensions L x W x H | Weight Capacity | Shipping Weight |
|-------------------|-------------|---|----------------------|-------------------|
| 85-023-100, grey* | Footrest | 14" x 2-1/8" x 2-1/8" (356 x 54 x 54 mm) | 200 lbs (90.8 kg) | 7 lbs (3.2 kg) |

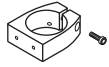
* To attach to Command Post, order either Bracket 60-157-100 or 60-158-100.

Pole Mounts

Attach equipment to 2", 1-3/4" or 1-1/2" Round Poles. Use your own pole or choose from the selection below.



60-131-003



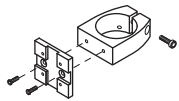
60-144-003



60-199-003



97-089



97-094-xxx



60-347-003



60-420-200



60-423-003

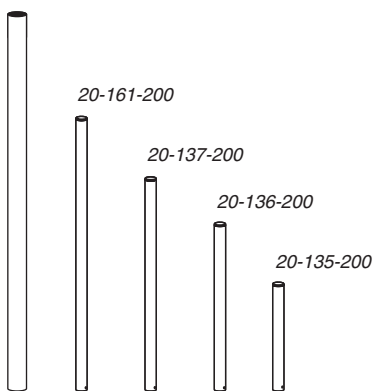


60-382-xxx



60-383-003

20-080



60-349-200



60-350-200

| Part Number | Description | Application | Shipping Weight |
|--|--|---|-----------------|
| 2" Pole-Mount Brackets | | | |
| 60-131-003, aluminum | Pole-Mount Brackets (2 Brackets) | 200, 300, 400 Series, HD Series Pivots, Extenders, FX75 and FXT75 on vertical 2" Round Pole | 2 lbs (.9 kg) |
| 60-144-003, aluminum | Pole-Mount Bracket | CPU Holders, Wire Storage Basket on vertical 2" Round Pole | 1 lbs (.5 kg) |
| 60-199-003, aluminum* | Split Pole-Mount Bracket (1 Bracket)—use w/ Pole having no open end | 200, 300, 400 Series, HD Series Pivots, Extenders, FX75, FXT75, CPU Holders, and Wire Storage Basket on vertical 2" Round Pole. | 2 lbs (.9 kg) |
| 97-089, aluminum | Horizontal Pole-Mount Bracket Kit | 200, 300, 400 Series, HD Series Pivots, on horizontal 2" Round Pole | 1 lbs (.5 kg) |
| 97-094-099, grey 97-094-085, black | Pole-Mount Bracket Kit for 100 Series | 100 Series Pivots on vertical or horizontal 2" Round Pole | 2 lbs (.9 kg) |
| * Order two Brackets for 200, 300, 400 Series, HD Series Pivots, Extenders, FX75 and FXT75 installation. | | | |
| 1-3/4" Pole-Mount Brackets | | | |
| 60-347-003, aluminum* | Split Pole-Mount Bracket (1 Bracket) | 200, 300, 400 Series, HD Series Pivots, Extenders, FX75, FXT75, CPU Holders and Wire Storage Basket on vertical 1-3/4" Round Pole | 2 lbs (.9 kg) |
| * Order two Brackets for 200, 300, 400 Series, HD Series Pivots, Extenders, FX75 and FXT75 installation. | | | |
| 1-1/2" Pole-Mount Brackets | | | |
| 60-420-200, black | Large Clamp. Features adjustment lever for easy height repositioning | 200, 300 Series, HD Series Pivots, FX75 and FXT75 on 1-1/2" Round Pole | 3 lbs (1.4 kg) |
| 60-423-003, aluminum* | Split Pole-Mount Bracket (1 Bracket) | 200, 300, 400 Series, HD Series Pivots, Extenders, FX75, FXT75, CPU Holders and Wire Storage Basket on vertical 1-1/2" Round Pole | 2 lbs (.9 kg) |
| * Order two Brackets for 200, 300, 400 Series, HD Series Pivots, Extenders, FX75 and FXT75 installation. | | | |
| Note: 7" Extensions w/ Pole Clamp attaches directly to 1-1/2" Round Poles. No bracket necessary. See 200 Series section (pp.14–19) for product information. | | | |
| Adapter Interface Plates | | | |
| 60-382-099, grey 60-382-085, black | Pivot Mount Plate | Allows mounting of 100 Series to Brackets on 1-1/2" or 2" Round Pole | 1 lbs (.5 kg) |
| 60-383-003, aluminum | Arm Mount Plate | Allows mounting of 200, 300, 400 Series to Bracket on horizontal 1-1/2" or 2" Round Pole | 1 lbs (.5 kg) |

Poles

| | | |
|-------------------|-------------------------|----------------|
| 20-080, chrome | 2" Round Pole, 50"L | 7 lbs (3.2 kg) |
| 20-135-200, black | 1-1/2" Round Pole, 14"L | 2 lbs (.9 kg) |
| 20-136-200, black | 1-1/2" Round Pole, 22"L | 5 lbs (2.3 kg) |
| 20-137-200, black | 1-1/2" Round Pole, 28"L | 5 lbs (2.3 kg) |
| 20-161-200, black | 1-1/2" Round Pole, 36"L | 5 lbs (2.3 kg) |

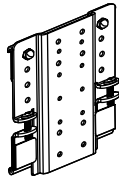
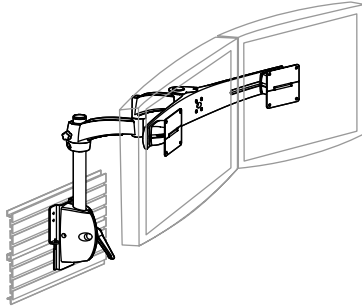
Bases for 1-1/2" Round Poles

| | Attach to... | |
|-------------------|--|---|
| 60-349-200, black | Desk Clamp Base for 1-1/2" Round Pole | Worksurface edge ≤ 2-1/8" (54 mm) thick |
| 60-350-200, black | Grommet Mount Base for 1-1/2" Round Pole | Worksurface through hole 3/8" to 3" (10 to 76 mm) wide, up to ≤ 4" (102 mm) thick |

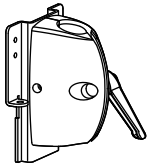
Note: Slatwall Pole Clamps also available. See Slatwall Components section (p.45) for product information.

Slatwall Components

Slatwall Brackets attach 400, 300, 200 and 100 Series Mounting Solutions to slatwall. Slatwall Pole Clamps support a 1-1/2" Round Pole, to which arms may be mounted. Order according to slatwall manufacturers. Standard color is black.



Slatwall Bracket



Slatwall Pole Clamp

| Part Number | Description | Shipping Weight |
|--|---|-----------------|
| Slatwall Brackets | | |
| 60-271-009, black | Woodtronics, Knoll, Infra-structure, Evans, Eurocraft, Teknion, Steelcase, EDP, CBA | 2 lbs (.9 kg) |
| 60-272-009, black | Novalink NO LONGER AVAILABLE | 2 lbs (.9 kg) |
| 60-274-009, black | Wall Street Trading, LaCOUR NO LONGER AVAILABLE | 2 lbs (.9 kg) |
| 60-450-009, black | SBFI NO LONGER AVAILABLE | 2 lbs (.9 kg) |
| 60-293-009, black | Herman Miller | 2 lbs (.9 kg) |
| Slatwall Pole Clamps <i>Note: Use with 1-1/2" Round Poles (p.44).</i> | | |
| 60-413-200, black | Woodtronics, Knoll, Infra-structure, Evans, Eurocraft, Teknion, Steelcase, EDP, CBA | 4 lbs (1.8 kg) |
| 60-415-200, black | LaCOUR | 4 lbs (1.8 kg) |
| 60-416-200, black | SBFI NO LONGER AVAILABLE | 4 lbs (1.8 kg) |
| 60-417-200, black | Herman Miller NO LONGER AVAILABLE | 4 lbs (1.8 kg) |

Note: Minimum of 3 slats are required to attach slatwall components.

Sample Configurations

